



## • ED2280M Series.

**DC Brushless fan.**

**Size: 225 x 225 x 80 mm**

**8.86 x 3.15 inches**

**Airflow: Max. 695 CFM / 19.7 m<sup>3</sup>/min**

**Metal Frame / Metal Impeller**

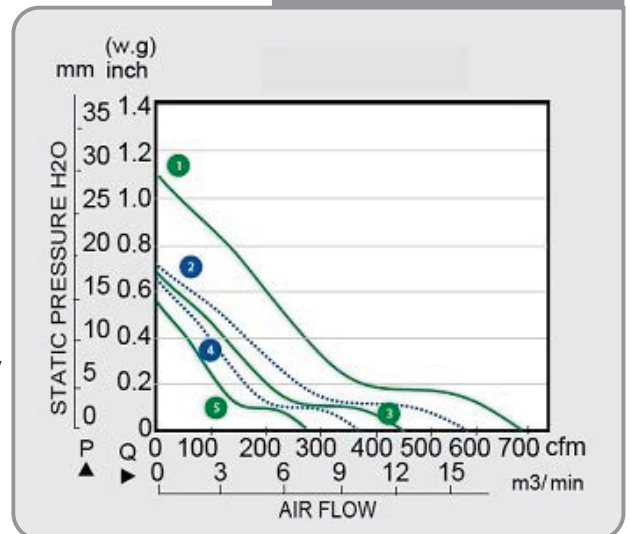
Model No.	Rated Voltage	Voltage Range	Input Power	Rated Current	Ref Speed	Max. Airflow		Max. Static Pressure		Noise Level	PQ Curves
	VDC	VDC	Watt	Amp	RPM	CFM	m <sup>3</sup> /min	Inch/H <sub>2</sub> O	mm/H <sub>2</sub> O	dB (A)	
ED2280M-12HHH**	12	9~13.6	92.4	7.7	3300	695	19.7	1.1	27.94	67	1
ED2280M-12HH**	12	9~13.6	69.6	5.8	2800	590	16.7	0.76	19.3	63	2
ED2280M-12H**	12	9~13.6	46.8	3.9	2200	460	13	0.71	18.03	59	3
ED2280M-12M**	12	9~13.6	22.8	1.9	1800	380	10.8	0.64	16.26	53	4
ED2280M-12L**	12	9~14	14.4	1.2	1300	270	7.6	0.58	14.73	41	5
ED2280M-24HHH**	24	16~27.6	92.4	3.85	3300	695	19.7	1.1	27.94	67	1
ED2280M-24HH**	24	16~27.6	69.6	2.9	2800	590	16.7	0.77	19.56	63	2
ED2280M-24H**	24	16~27.6	46.8	1.95	2200	460	13	0.71	18.03	59	3
ED2280M-24M**	24	16~28	22.8	0.95	1800	380	10.8	0.64	16.26	53	4
ED2280M-24L**	24	16~28	14.4	0.6	1300	270	7.6	0.58	14.73	41	5
ED2280M-48HHH**	48	30~53	93.6	1.95	3300	695	19.7	1.1	27.94	67	1
ED2280M-48HH**	48	24~56	69.6	1.45	2900	595	16.8	0.79	20.07	63	2
ED2280M-48H**	48	24~56	45.6	0.95	2200	460	13	0.71	18.03	59	3
ED2280M-48M**	48	30~56	24	0.50	1800	380	10.8	0.64	16.26	53	4
ED2280M-48L**	48	30~58	14.4	0.30	1300	270	7.6	0.58	14.73	41	5

\*\* = "BL" for Ball bearing wire lead type, or "BT" for Ball bearing terminal type.

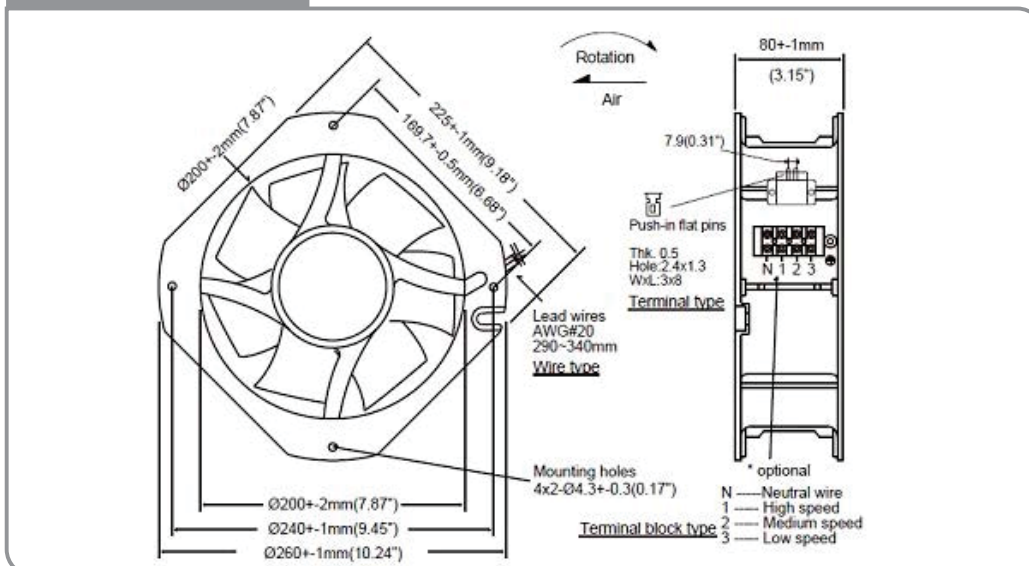
We Reserve the right to change data and improve electrical & mechanical design without notice, data tolerance +/- 10%

Motor Type:	Microprocessor brushless DC Motor, auto cutoff, auto restart
Burnout Protection:	Electronically protected, polarity protected
IP Protection:	IP55, 56 Optional request
<b>Mechanical</b>	
Frame:	Aluminum die cast, Natural color threatment
Impeller:	7 blades, all metal
Bearing:	Double sealed high precision ball bearings
Rotation:	CCW seen on rotor
Connection:	Wire lead or terminal flat pin or Terminal block
Weight:	-
<b>Electronical</b>	
Dielectric Strength:	500 VAC/min. Max leakage 500mA
Speed Control:	Optional: PWM, S/C NTC thermister, 0~10V control voltage S/V
Signal Output:	Optional: R/D alarm output, tachometer output F/G
<b>Environment</b>	
Operating Temp:	-20°C~+65°C
Storage Temp:	-20°C~+75°C (at 65%RH)
Life Expectancy:	L10 40K hours at 65°C

### ▶ Performance P-Q Curves.



### ▶ Outline Dimensions.



### Fan Accessories

